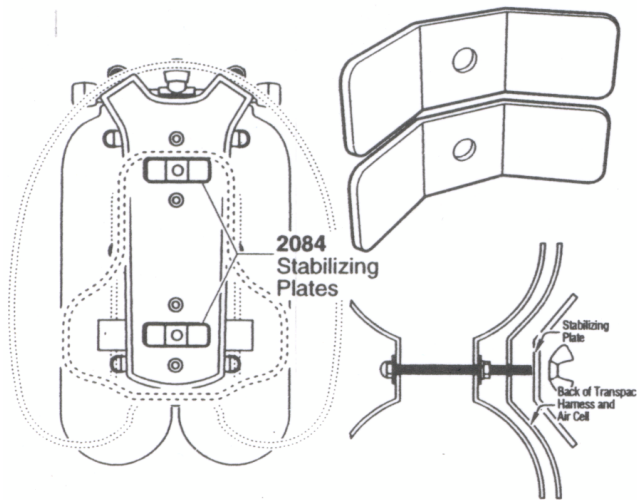


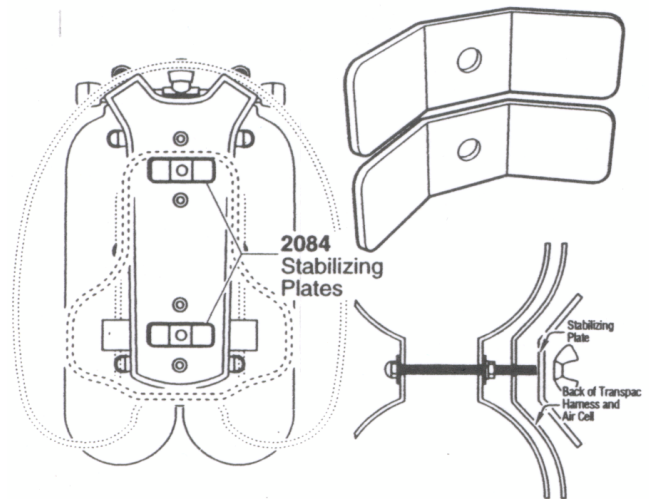
## Transpac Stabilizing Plates

Item Number: BC2084



## Transpac Stabilizing Plates

Item Number: BC2084



## Installation

This illustration shows how to attach double cylinders, air cells, and harnesses to one another using BC2084 stabilizing plates. (To access the harness bolt holes, you will need to temporarily pull the padded lumbar support away from the inside of the harness.) As with single cylinders, the air cell is sandwiched between the cylinders and the harness..

Tighten the BC2084 stabilizing plates in place using the wing nuts that come with the tank-band bolt kit, as shown above. Turn the wing nuts until they are as tight as you can get them by hand.

## Installation

This illustration shows how to attach double cylinders, air cells, and harnesses to one another using BC2084 stabilizing plates. (To access the harness bolt holes, you will need to temporarily pull the padded lumbar support away from the inside of the harness.) As with single cylinders, the air cell is sandwiched between the cylinders and the harness..

Tighten the BC2084 stabilizing plates in place using the wing nuts that come with the tank-band bolt kit, as shown above. Turn the wing nuts until they are as tight as you can get them by hand.